

# Standard Cassette Product Specifications

## DESIGNER ROLLER SHADES

### APPLICATION

- Fits rectangular window openings.
- Maximum widths and heights vary with fabric.
- Morocco fabric can be turned width for length to accommodate larger openings.
- Roller shades with Cassette system use the EOS clutch.

### Size Standards

See Size Standards on pages DRS-2 and DRS-3

### Mounting Requirements

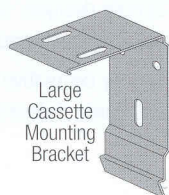
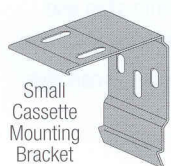
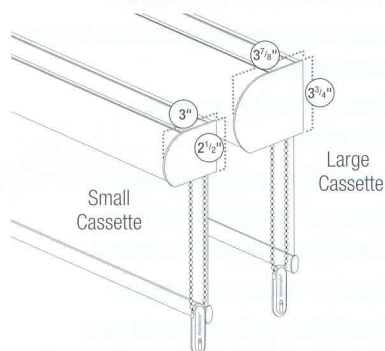
#### Inside (IB) Mount

Minimum mounting depth	
Small cassette*	2 1/2"
Large cassette	2 1/2"
Minimum mounting depth, flush mount	
Small cassette*	3 1/4"
Large cassette	4 1/4"

#### Outside (OB) Mount

Minimum flat vertical surface	
Small cassette*	2 3/4"
Large cassette	4"

\*Small cassettes are only available on shades up to 72" x 72" and are not available with Antigua, Fiji, Fiji Blackout, Kauai, Raffia, Soft Suede, Tranquility, Wild Harvest and Woven Impressions fabrics.



### IMPORTANT

In accordance with the revised American National Standard for Safety of Corded Window Covering Products, shades with beaded cord loops require proper mounting of the cord tensioner for the product to function properly. The cord tensioner should not be modified in any way.

### Finished Dimensions

(All allowances are taken from ordered dimensions and may vary slightly)

#### Small Cassette – Inside (IB) Mount

Fabric and tube width	-1 1/2"
Cassette profile width	-1/2"
Finished width	-1/8"

#### Small Cassette – Outside (OB) Mount

Fabric and tube width	-1 3/8"
Cassette profile width	-3/8"
Finished width	ordered width

#### Large Cassette – Inside (IB) Mount

Fabric and tube width	-1 5/8"
Cassette profile width	-1/2"
Finished width	-1/8"

#### Large Cassette – Outside (OB) Mount

Fabric and tube width	-1 1/2"
Cassette profile width	-3/8"
Finished width	ordered width

### Hardware Included

Mounting brackets

### Optional Features

#### No Charge – Specify on Order

Hold-down brackets  
Plain cassette — non fabric-wrapped

### HOW TO PRICE

- **Important Note!** All base prices are predicated on Ordered Dimensions, not Finished Dimensions.
- Add cassette surcharge to base prices shown on price charts 1 to 3 (see pages DRS-4 and DRS-5).

### SHADE OPERATION

- Roller shades with Cassette system require the EOS clutch.

### EXCLUSIONS

- Small cassette not available on Antigua, Fiji, Fiji Blackout, Kauai, Raffia, Soft Suede, Tranquility, Wild Harvest or Woven Impressions fabrics.
- Designer Roller Shades may NOT be retrofitted with Cassette system.

### DESIGN OPTIONS

- Decorative hems with petite gimp trims available.
- Faux wood slats and designer tape trims are available in place of the standard bottom bar.
- Decorative metal end caps are available in two styles – flat and beveled – enhancing the standard bottom bar.
- Please refer to page DRS-23 for further information and limitations on available design options.

### ORDERING CHECKLIST

- ✓ Specify inside (IB) or outside (OB) mount.
  - ✓ Fabric-wrapped cassette is standard. Non fabric-wrapped cassette available upon request.
  - ✓ Some shades may require the large cassette instead of the small cassette in order for the shade to function properly.
- For example:

- Large shades (wider than 72" or longer than 72") require the large cassette.
- Antigua, Fiji, Fiji Blackout, Kauai, Raffia, Soft Suede, Tranquility, Wild Harvest and Woven Impressions fabrics, due to their construction, require the large cassette.
- For aesthetic consistency, if one or more shades in a multiple shade order requires the large cassette, all shades within the same room should be ordered with the large cassette.
- ✓ Specify side-by-side shades, if desired.
- ✓ Specify left- or right-side lift cord.
- ✓ Specify decorative metal end cap style and finish, if desired.
- ✓ Specify decorative hem style with petite gimp trim color, if desired.
- ✓ Specify designer tape trim style and color, or faux wood slat color, if desired.